



ADVANCED POLYURETHANE SUSPENSION BUSHES

Instigators in Europe of the development and sales of a wide range of Top Quality Polyurethane Suspension Bushes - primarily for the upgrade of performance and classic cars.

- Since 1993

Lower Engine Steady Bushes AUDI , SEAT, SKODA & VOLKSWAGEN

Audi

A3 (MK4 1996 - 2003) S3 (1999 - 2003) TT (Coupe 1999 - 2006) VW A4 Platform

Seat

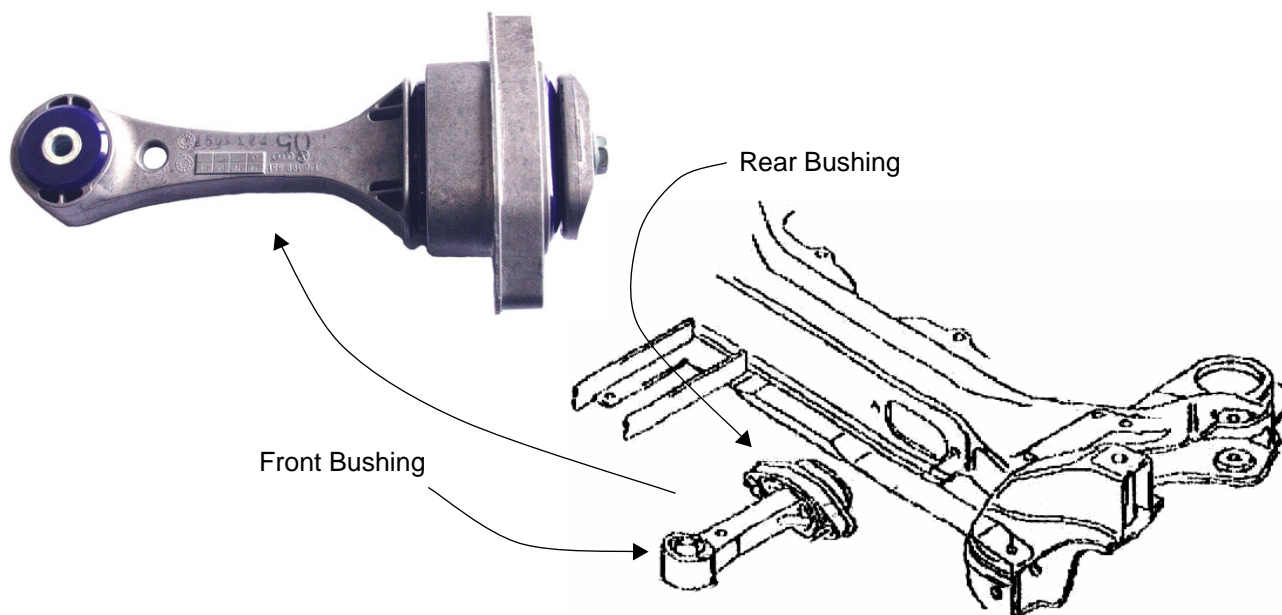
Cordoba/Leon (MK4 1) Toledo (MK4) VW A4 Platform

Skoda

Octavia (07/1998 - 06/2004) VW A4 Platform

Volkswagen

Beetle (MK4 2000 - 2004) Bora Mk 4 - Golf Mk 4 - Golf R32 Mk 4 - Jetta Mk 4 A4 Platform



On standard vehicles the original bushings compress and extend which allow the engine to move during acceleration and braking.

In some high-performance applications with increased engine output, this movement can be excessive.

The SuperFlex bushings improve the compression and extension forces, reducing engine movement under acceleration and braking which improves the dynamics of the vehicle, thus driver feedback.

Portions digital image content © 2001-2005 SuperFlex Limited. All rights reserved. These images are incorporated for viewing purposes only; no permission is granted to download and save the images for any reason other than to purchase or promote SuperFlex products.

All Correspondence to: SUPERFLEX LTD., HORNSMEAD, KNOWLE LANE, WOOKEY, WELLS, SOMERSET BA5 1LD ENGLAND.

TEL. +44 (0)1749 678152

or +44 (0)7000 787373

Monday to Friday 9.00am - 6.00pm

www.superflex.co.uk

email: chris@chriswitor.com

Contact: CHRIS WITOR

FAX +44 (0)1749 671404

Visitors strictly by appointment

CHEQUES PAYABLE TO SUPERFLEX LTD

V.A.T. No. GB 697 9097 52

Registered in England at : Chalmers HB, 20 Chamberlin Street, Wells, BA5 2PF.
Company No. 03685993

